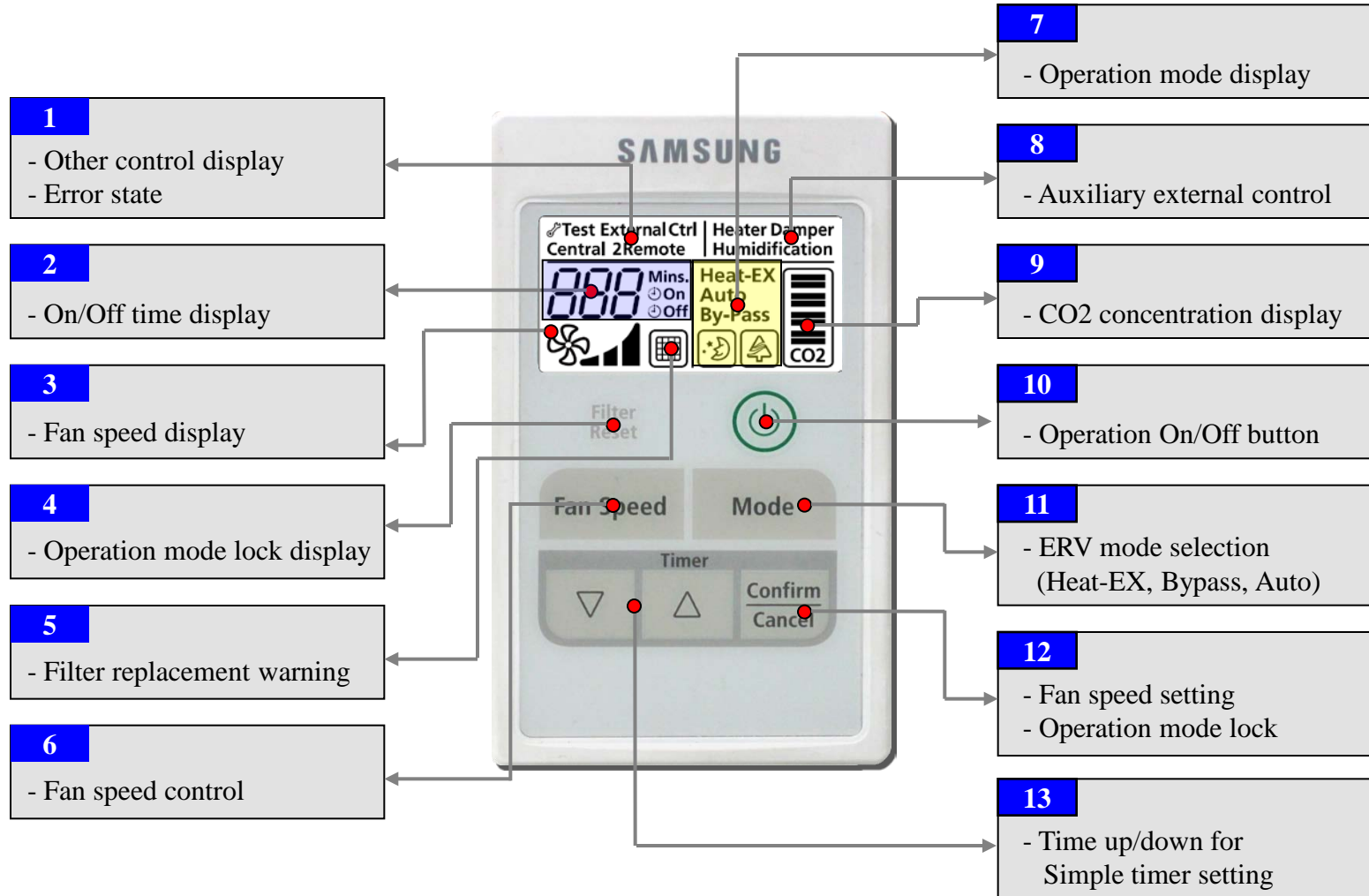


Wired remote controller

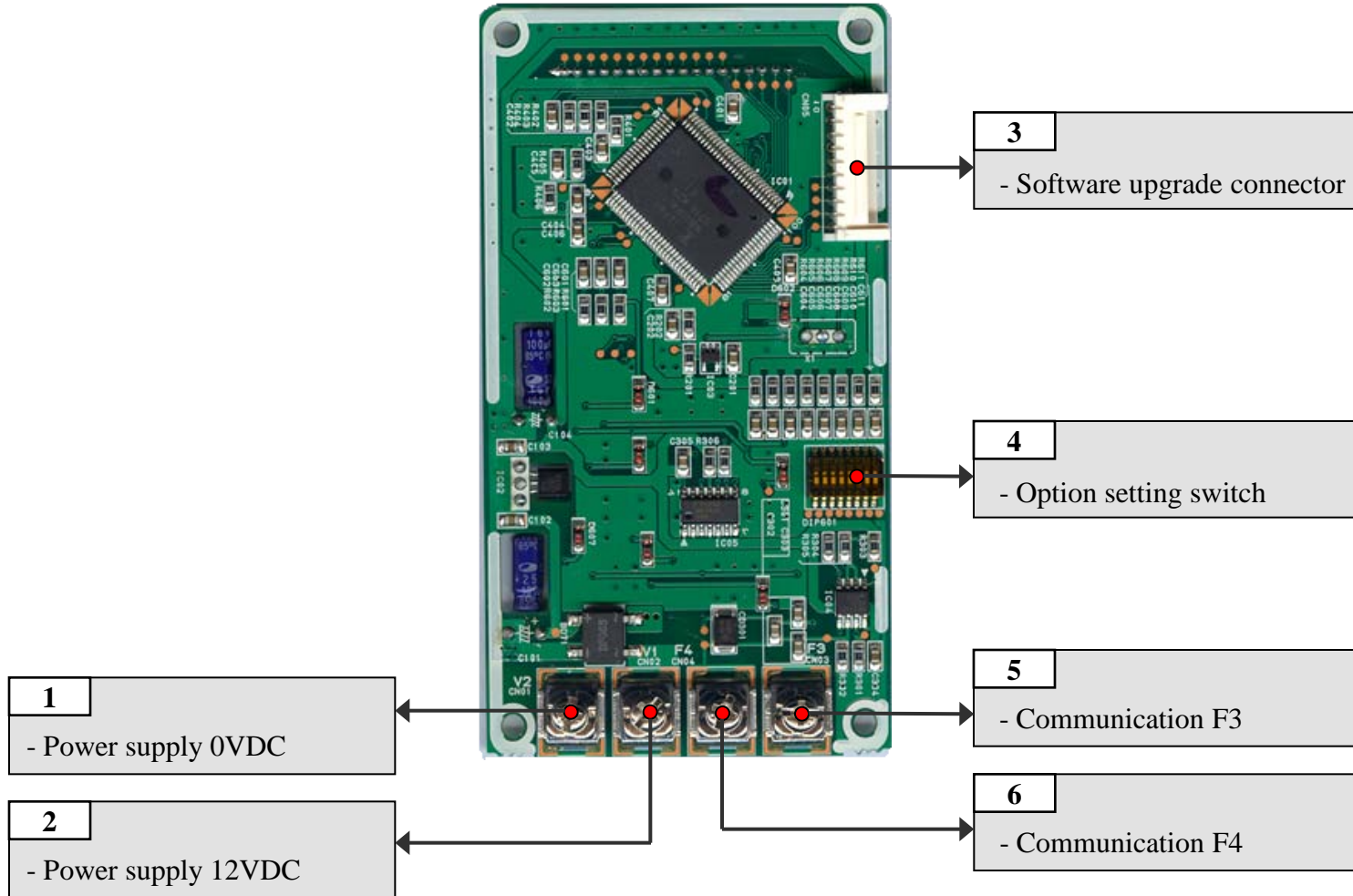


MWR-VH02

- Display and buttons

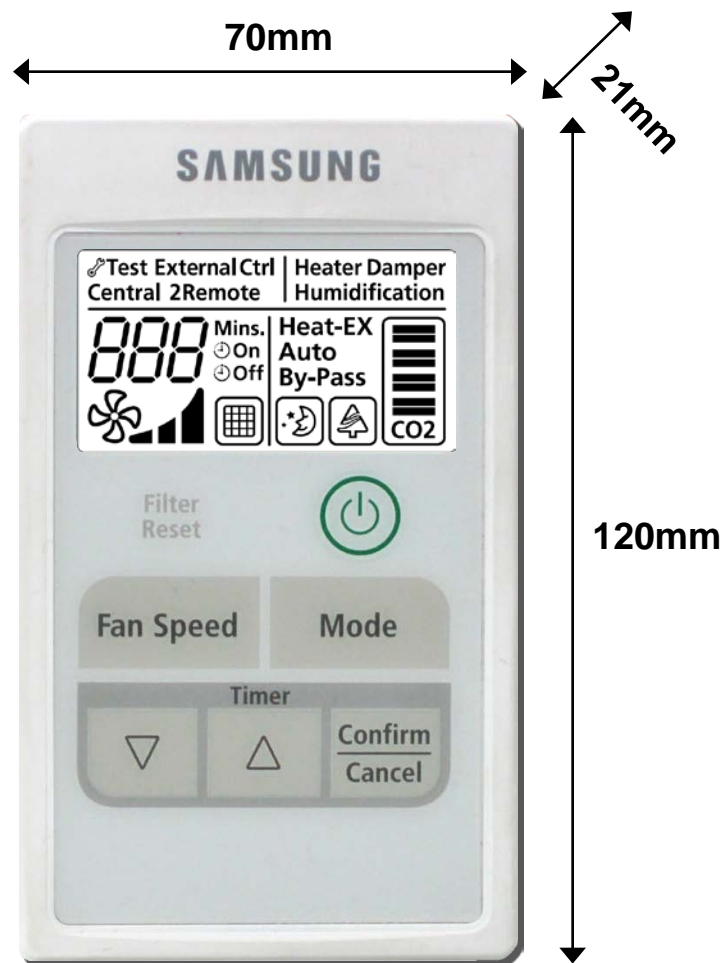


- Switches and connectors



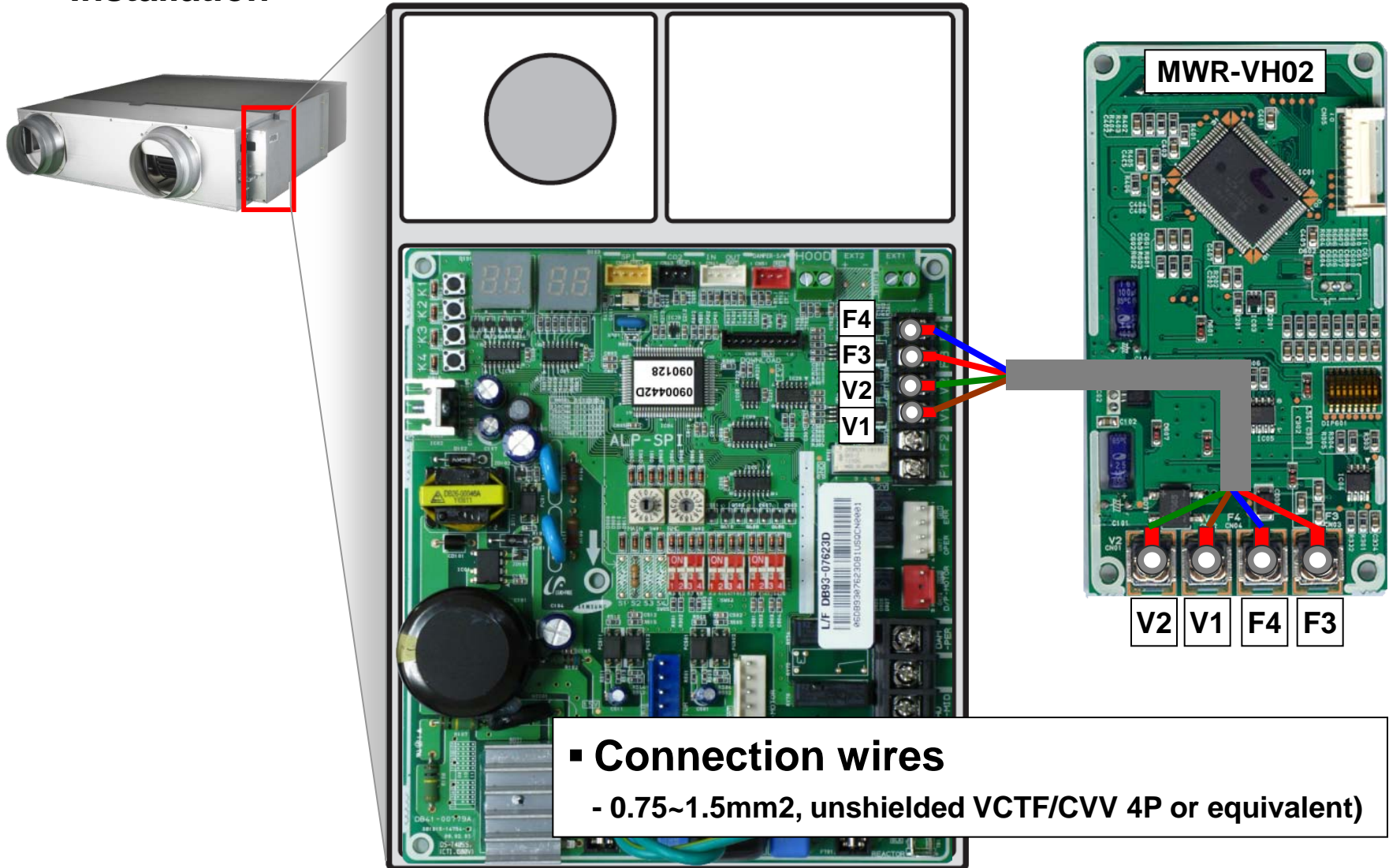
ERV wired remote controller – MWR-VH02

- Dimensions



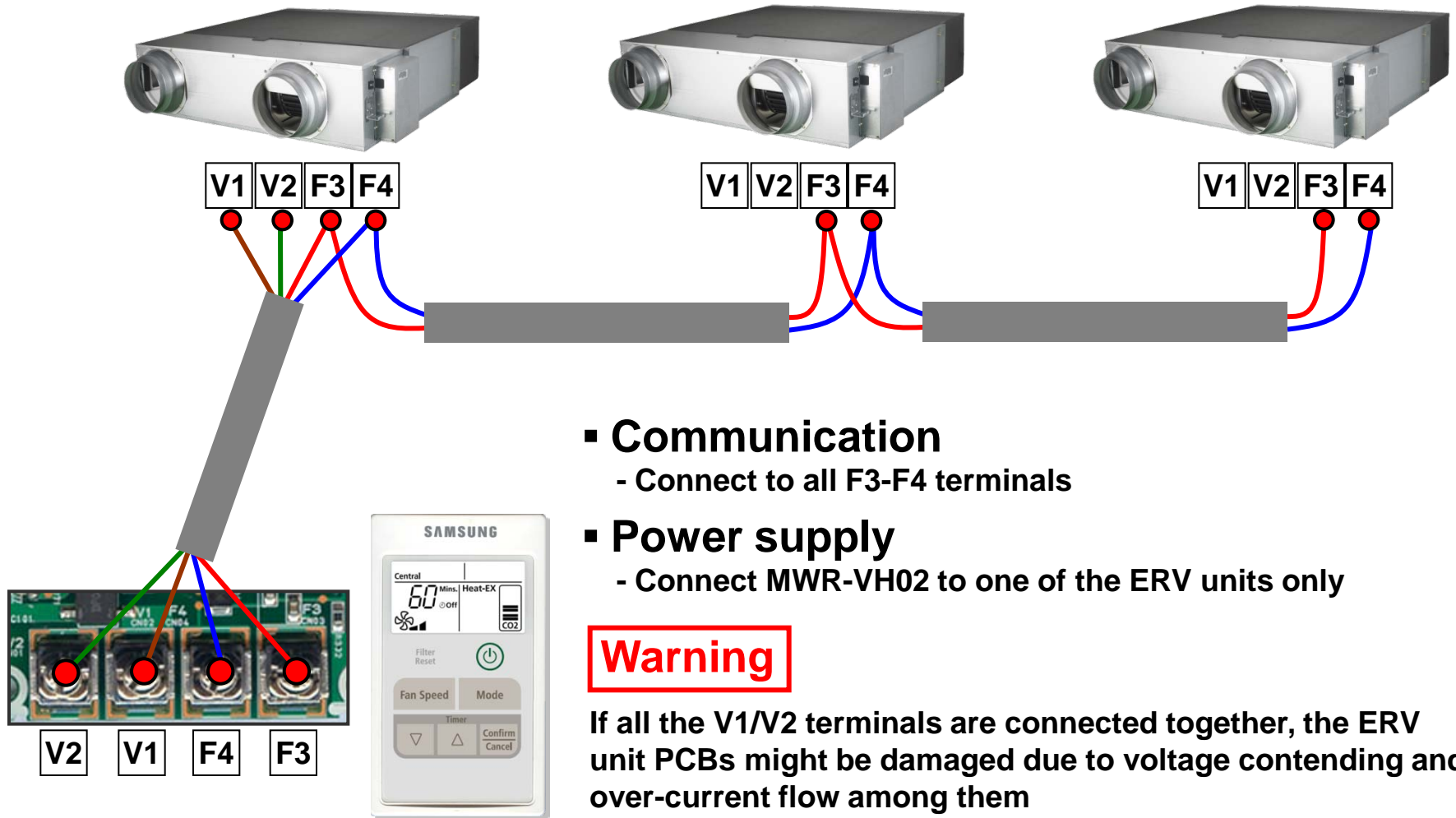
ERV wired remote controller – MWR-VH02

- Installation

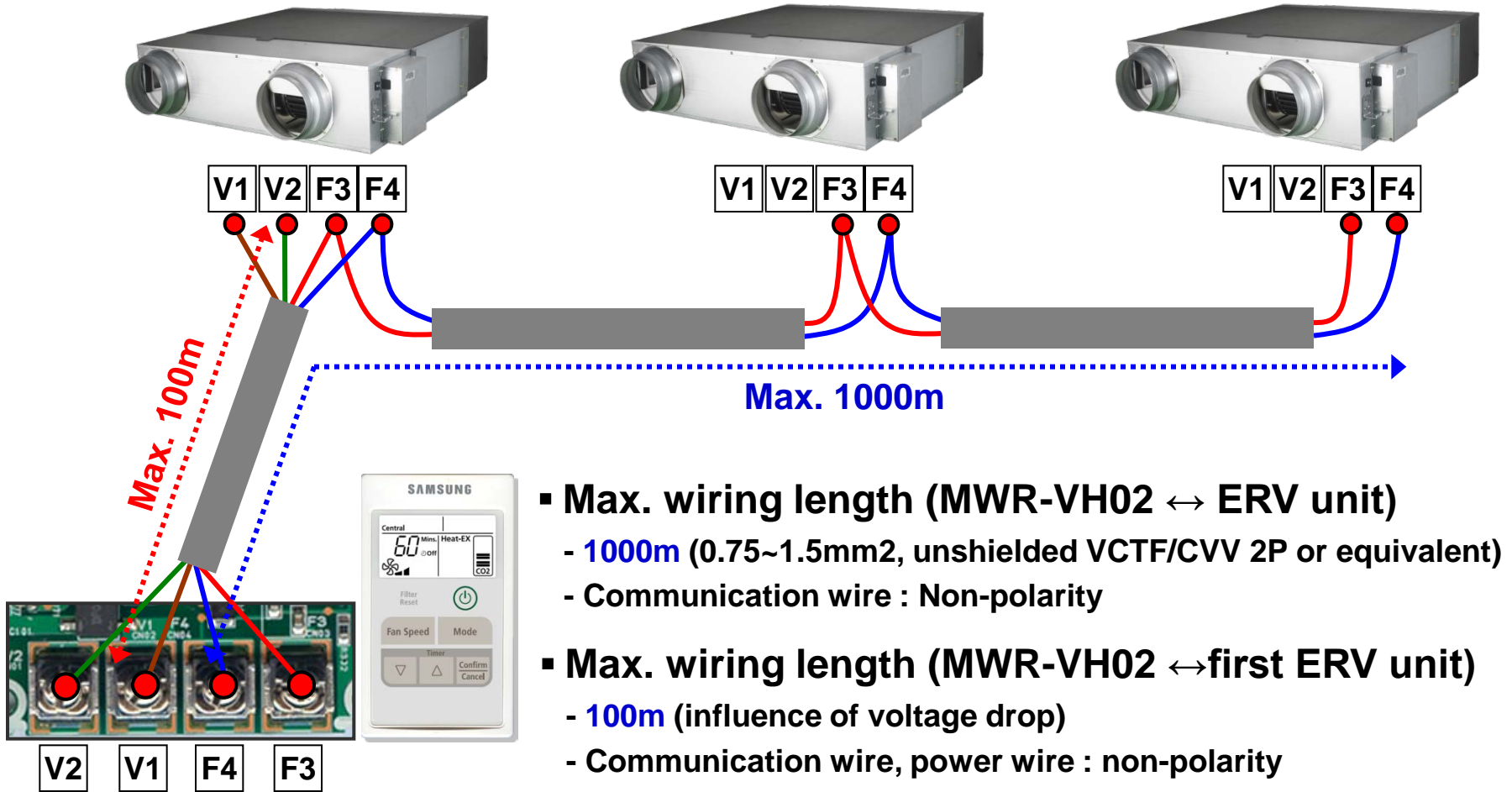


ERV wired remote controller – MWR-VH02

- Connection to multiple ERV units

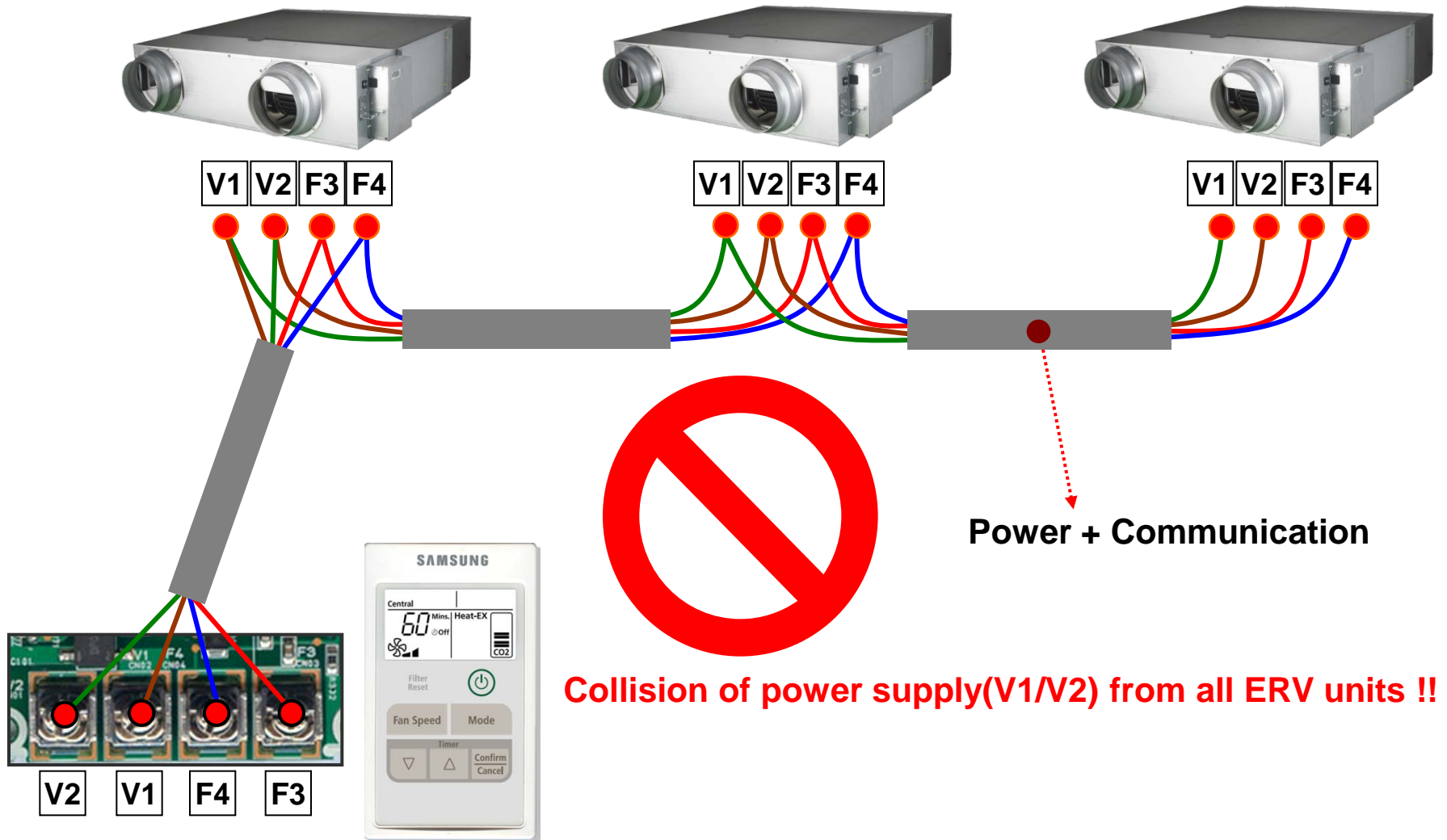


- Connection to multiple ERV units



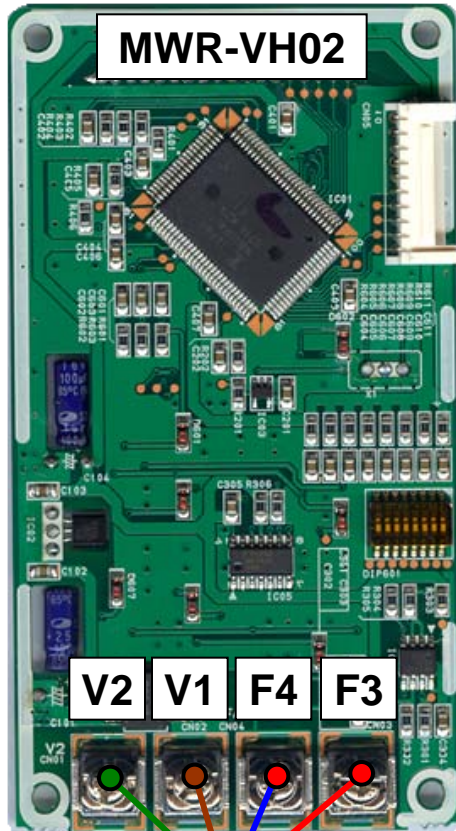
ERV wired remote controller – MWR-VH02

- **No common connection** of ERV unit V1/V2 terminals



ERV wired remote controller – MWR-VH02

- Protection against wrong power connection

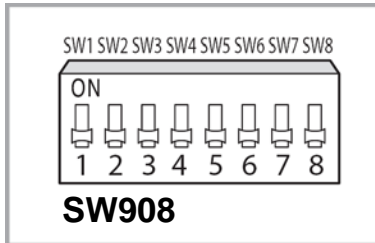


V1 → F3
V2 → F4
F3 → V1
F4 → V2

**MWR-VH02
PCB fault !**



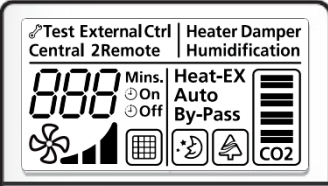
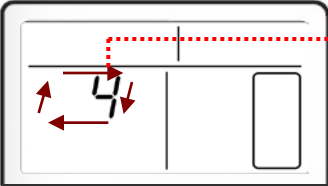
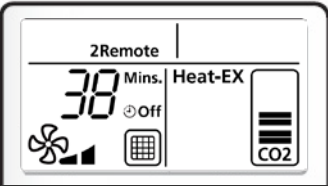

- Option switch



Default settings are all OFF.

No	OFF	ON
SW1	Auto mode disabled	Auto mode enabled
SW2	Air purifying mode disabled	Air purifying mode enabled
SW3	External control mode disabled	External control mode enabled
SW4	Sleep mode disabled	Sleep mode enabled
SW5	By-pass mode disabled	By-pass mode enabled
SW6	-	-
SW7	-	-
SW8	Main ERV wired control mode	Sub ERV wired control mode

- Operation sequence display

Operation	Display
<p>Power reset</p>	 <p>All the LCD segments are ON for 1 second.</p>
<p>Registration</p>	 <p>Connected number of ERV units</p> <p>2 segments rotate clockwise to indicate indoor unit registration process</p>
<p>Normal operation</p>	 <p>Connected indoor unit state display</p>
<p>Error</p>	 <p>Communication error between the wired remote controller and the indoor unit.</p>

- Wired remote control restart



- Press Fan Speed and Mode for 3 seconds to restart the operation of the Wired remote control

- Error display & description



Error code	Description
E601	Communication error with ERV unit(s) for 3 minutes after tracking process
E602	Communication error between Main and Sub remote controller
E603	Communication packet corrupted
E604	No communication between wired remote controller and the ERV units
E607	2 Main remote controllers on F3-F3 communication
E608	No ventilators installed (No ventilators found after tracking)
E609	Not yet installed the external device (The external device is not yet detected after setting up the option for external device and tracking)
E618	- Exceeding maximum number of ERV units(16units)
E621	Option switch setting of Master remote controller does not match to that of Slave remote controller.