

Remote sensor kit



■ Components

Model name : MRW-TA



Remote sensor case



Installation manual



Sensor wire
(12m)



Others

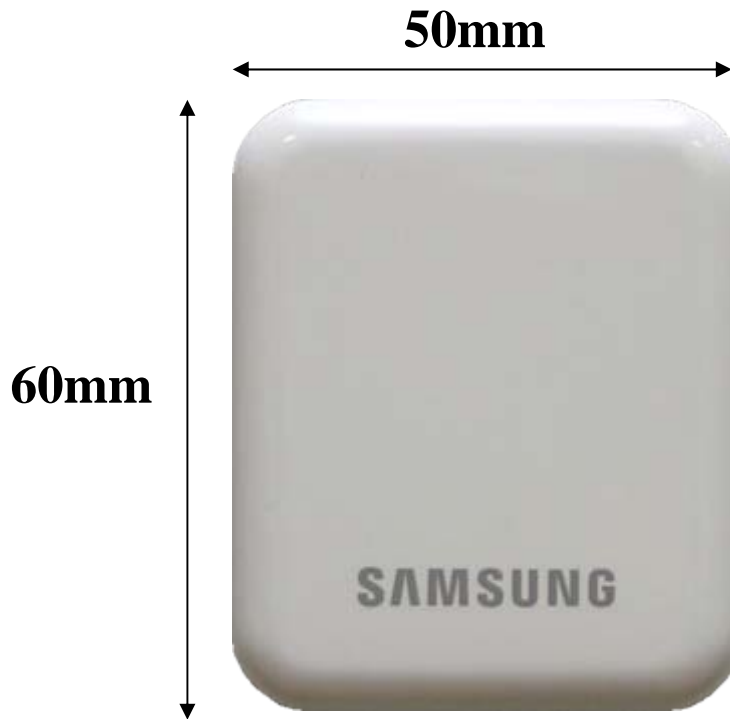
Wire adapter – 1 EA

Wire joint – 2 EA

Screw – 2 EA

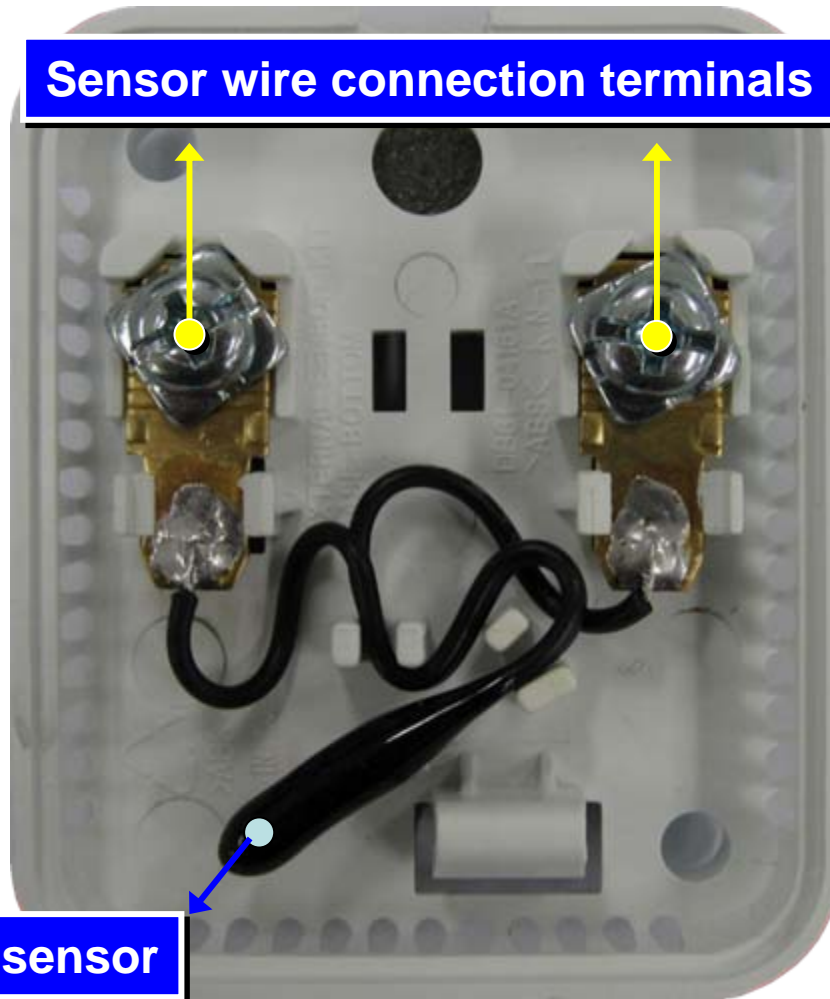
Cable tie – 2 EA

▪ **Dimension**



- **Internal view**

Sensor wire connection terminals



Room temperature sensor

▪ Connection

Family	Indoor unit	Connection
DVM Plus III DVM Plus III HR	Cassette, DUCT, Ceiling	Wire adapter
FJM CAC	Wall-mount, Console	Wire joint

