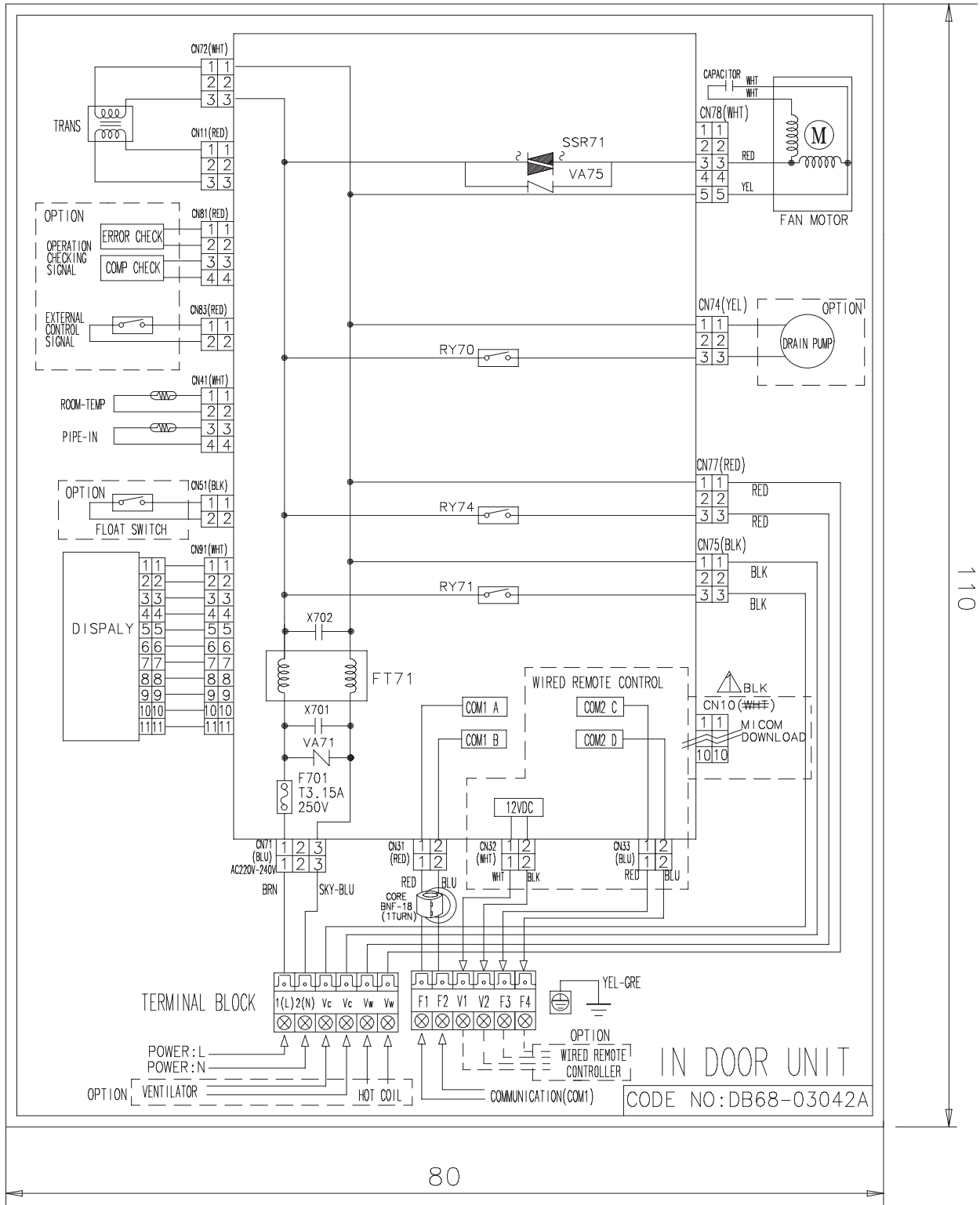


# 7. Wiring Diagram

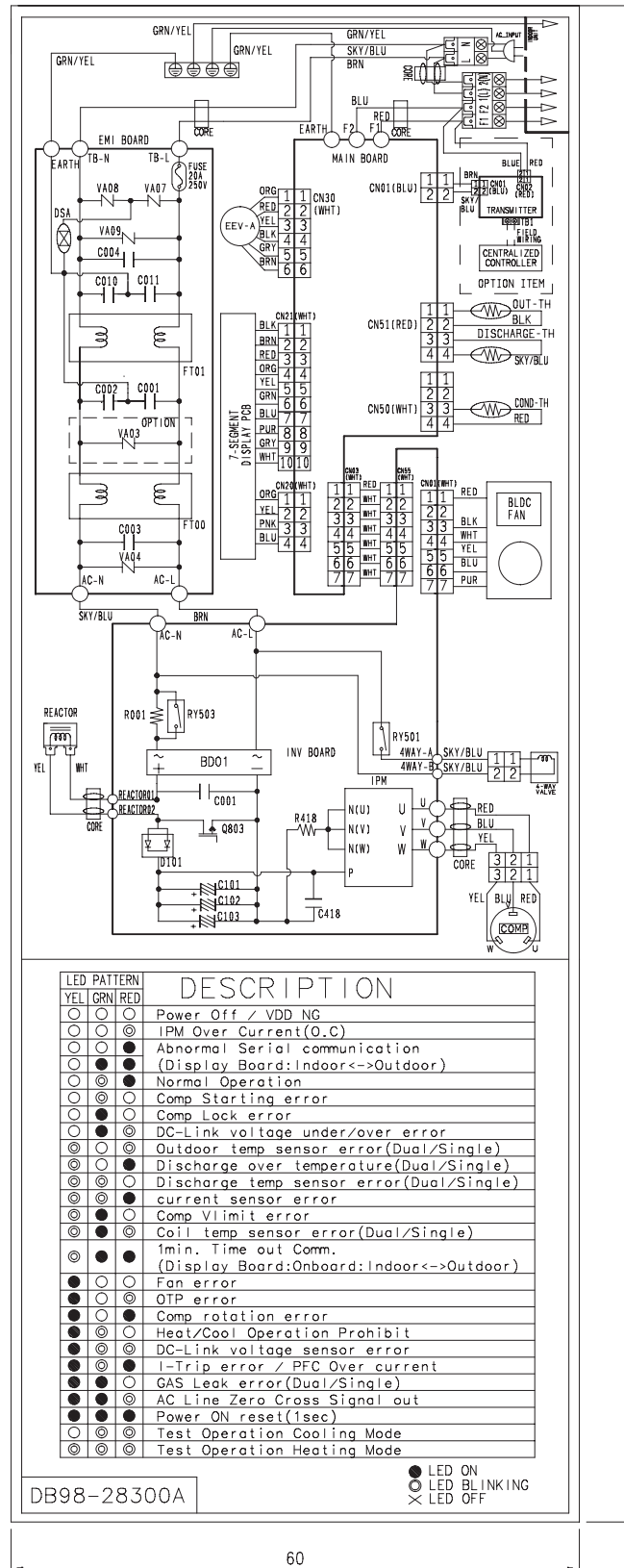
## 7-1 Indoor Unit



This Document can not be used without Samsung's authorization.

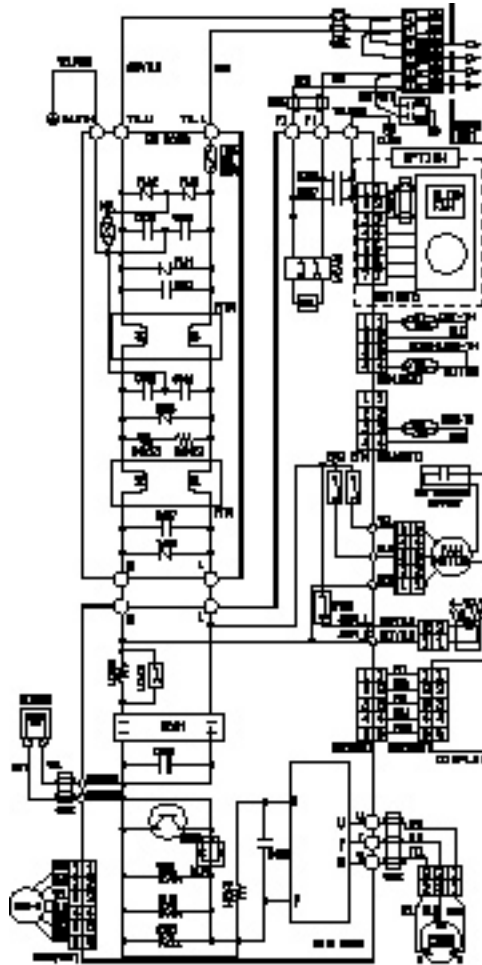
# 7-2 Outdoor Unit

## UH035EAV1



This Document can not be used without Samsung's authorization.

■ UH052EAV1

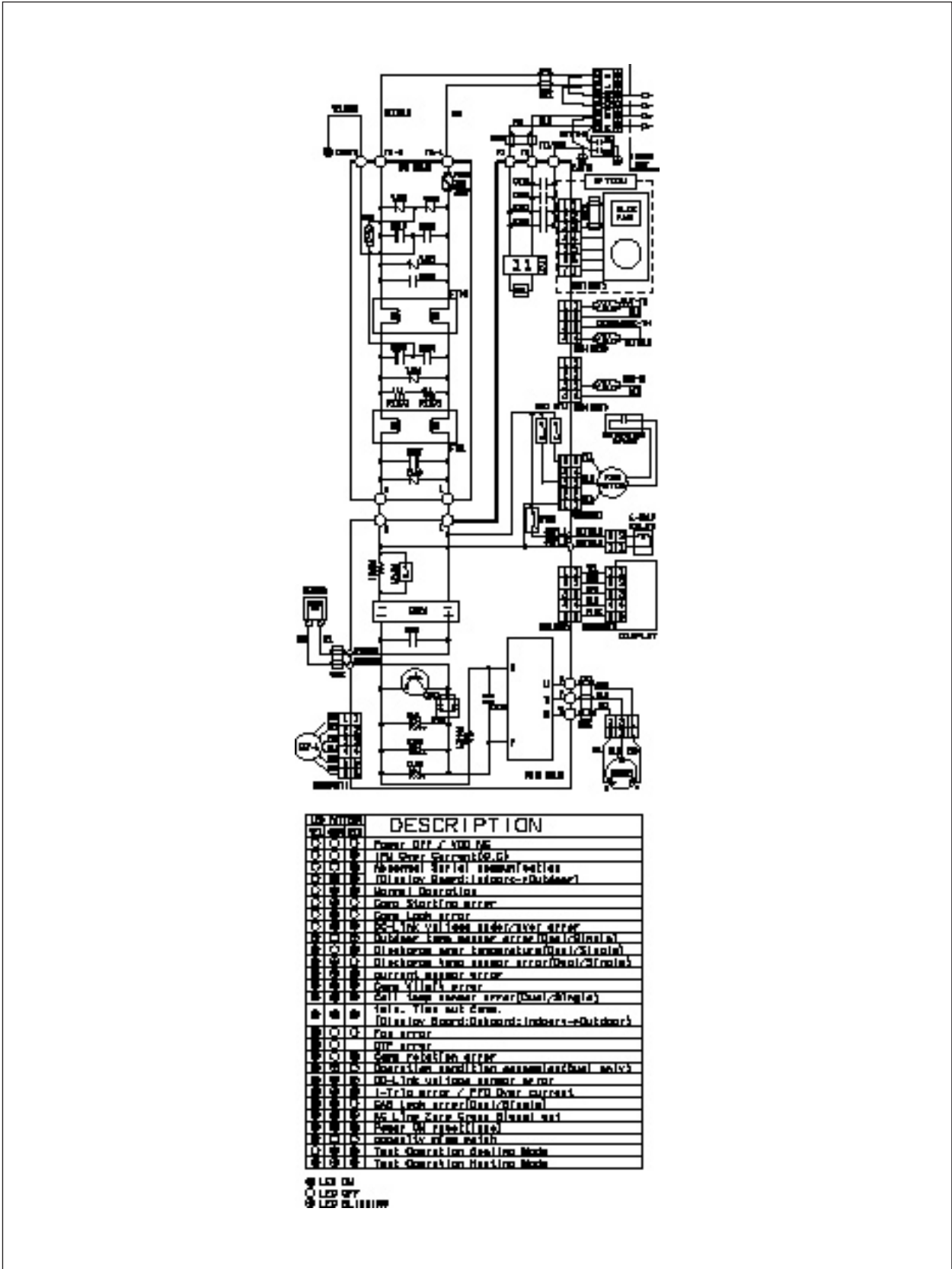


LED	DESCRIPTION
LED 01	Power OK / TRIP OFF
LED 02	IPM Over Current (OC.P)
LED 03	Alarm (Serial communication)
LED 04	Minister Board (Inverter-Subsect)
LED 05	Normal Operation
LED 06	Drive Start time error
LED 07	Drive Lock error
LED 08	DC-link voltage sensor error
LED 09	Output term sensor error (Dual/Single)
LED 10	Discharge over temperature (Dual/Single)
LED 11	Discharge term sensor error (Dual/Single)
LED 12	Current sensor error
LED 13	Drive V/Hz error
LED 14	Call back sensor error (Dual/Single)
LED 15	Min. Time set Error (Display Board/Inboard/Inboard-2/Outboard)
LED 16	FSN error
LED 17	DSP error
LED 18	Drive rotation error
LED 19	Derivation condition mechanism (Dual only)
LED 20	DC-link voltage sensor error
LED 21	I-Trip error / FPC Over current
LED 22	DC Link error (Dual/Single)
LED 23	DC Link Zero Cross (ZCS) error
LED 24	Encoder malfunction
LED 25	Parameter miss match
LED 26	Text Description Decline Mode
LED 27	Text Description Hesitate Mode

LED 01  
 LED 02  
 LED 03

This Document can not be used without Samsung's authorization.

■ UH070EAV1



This Document can not be used without Samsung's authorization.